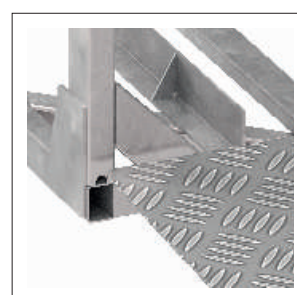
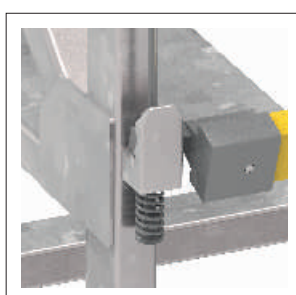
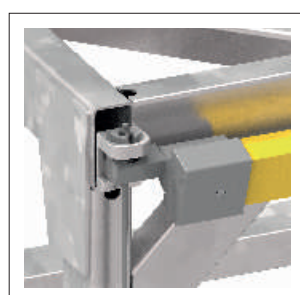


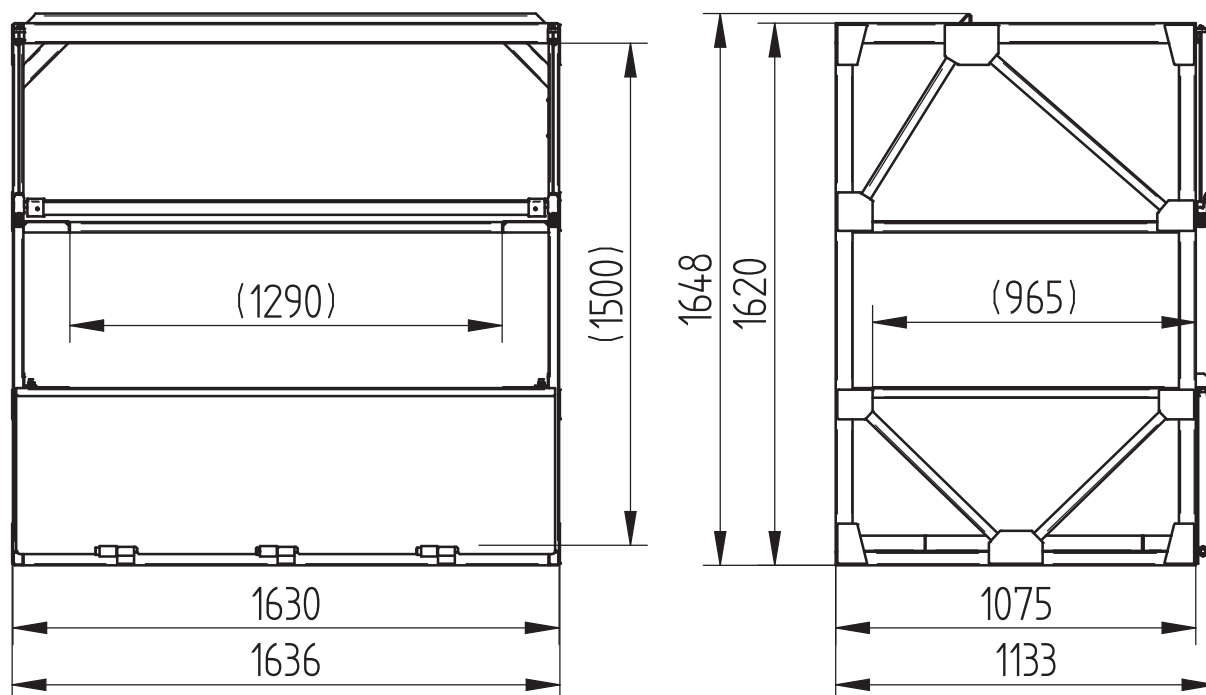
Transport cage for gas cylinders

Application	Maximum load	Stackability (empty)	Stackability (full)	Capacity	Coating
				12x33 kg 	



DIMENSIONS	LENGTH	WIDTH	HEIGHT
ARG18	1636	1133	1648

TECHNICAL DATA



TRANSPORT

