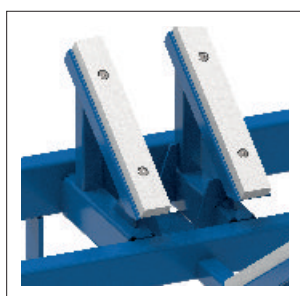
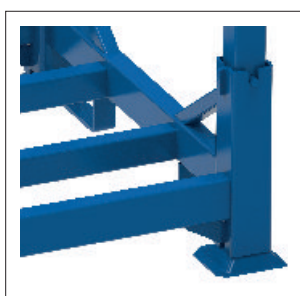
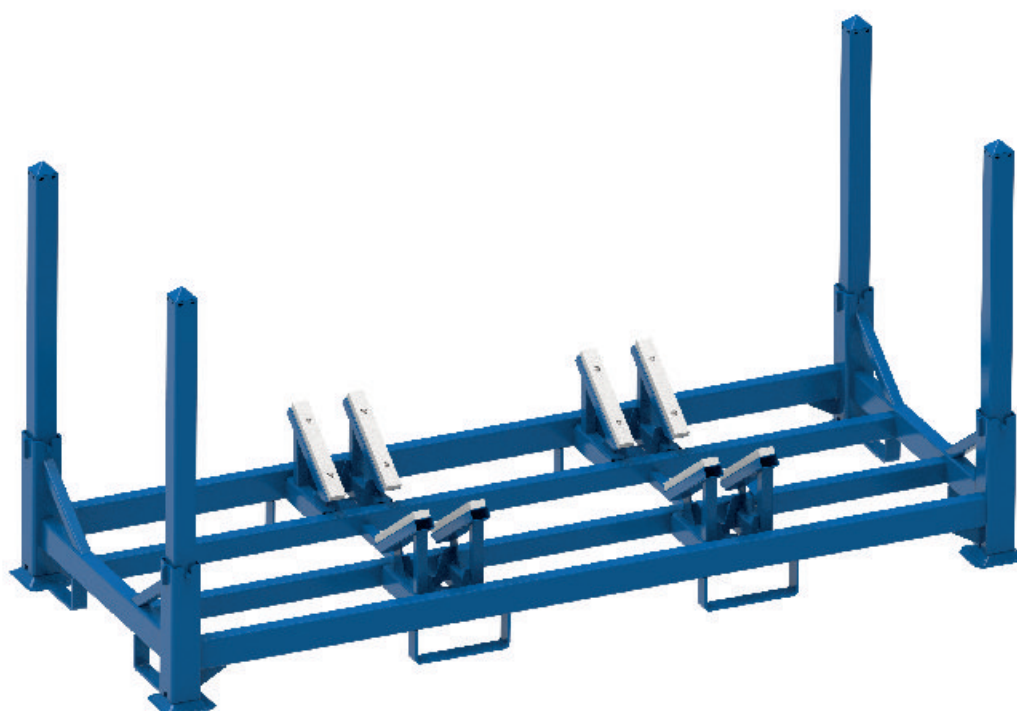


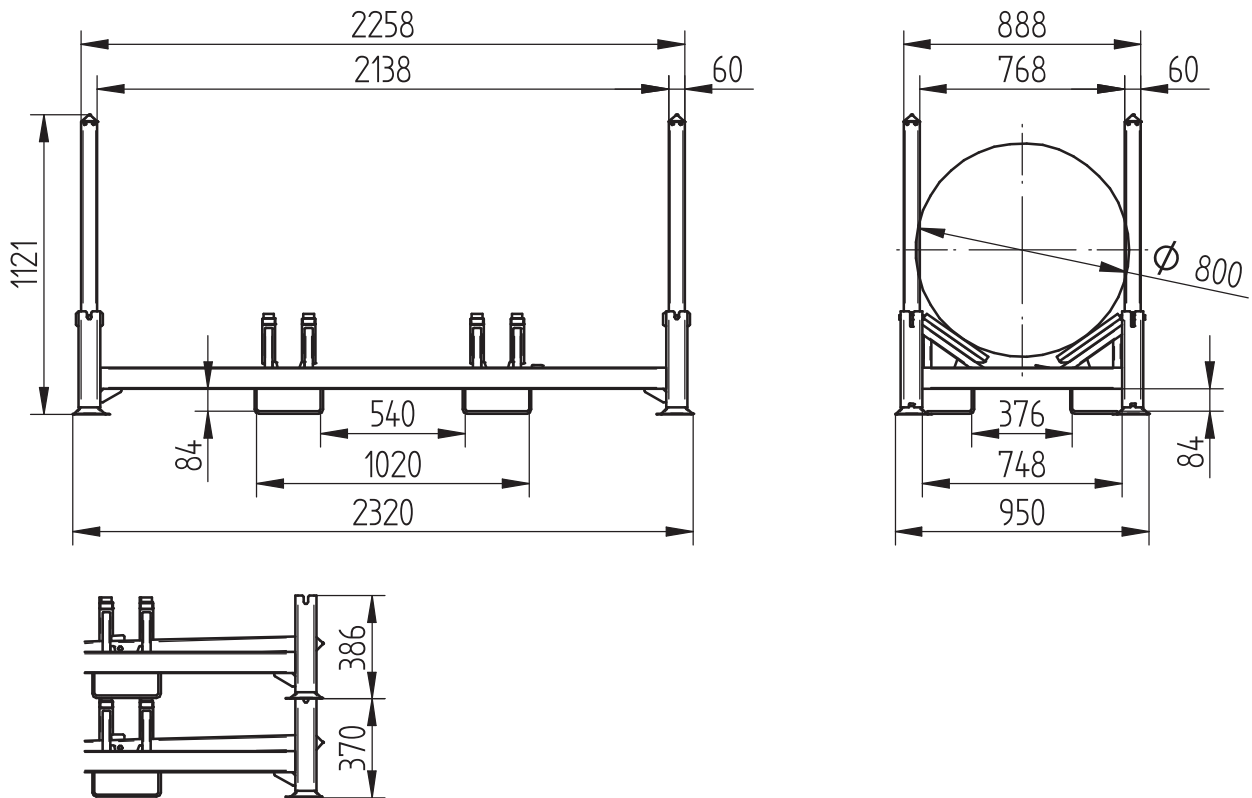
Rack for gas tanks

Application	Maximum load	Stackability	Capacity	Coating



DIMENSIONS	LENGTH	WIDTH	HEIGHT
ARMT22	2320	950	1121

TECHNICAL DATA



TRANSPORT

